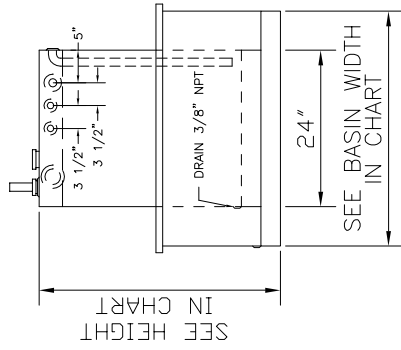
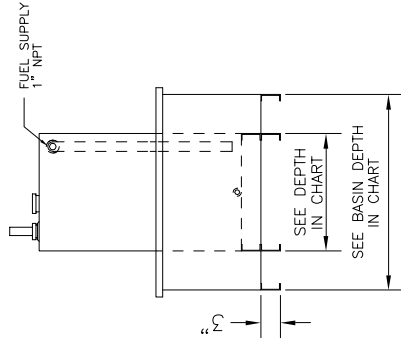


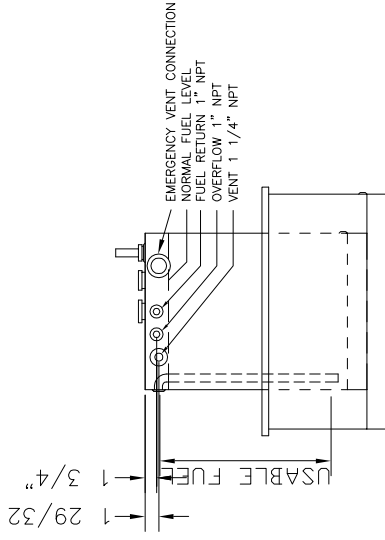
FRONT VIEW



RIGHT SIDE VIEW



REAR VIEW



	MODEL			
	FT50	FT60	FT75	FT100
CAPACITY	GAL 50	60	75	100
	LIT 189	228	284	379
BASIN WIDTH	IN 36	36	36	36
	CM 91.4	91.4	91.4	91.4
BASIN DEPTH	IN 30	30	30	36
	CM 76.2	76.2	76.2	91.4
TANK WIDTH	IN 24	24	24	24
	CM 61	61	61	61
TANK DEPTH	IN 18	18	18	24
	CM 45.7	45.7	45.7	61
TOTAL HEIGHT	IN 37	42	50	50
	CM 94	106.7	127	127
BASIN HEIGHT	IN 19	22.25	27	29.75
	CM 48.3	54.5	68.6	75.6
WEIGHT	LB 272	292	336	390
	KG 123	133	152	177
EMERGENCY VENT	IN 2	2	2	3



E & C A

SCALE NONE	APPROVED BY	DRAWN BY RLL
DATE 8-18-97		REVISION
FT50, 60, 75, 100ULD		
WITH WEATHER PROOF RUPTURE BASIN		
		DRAWING NUMBER 03549

1	5-00	MOVED EMERGENCY VENT TO BACK	TMP	BY
REV	DATE	DESCRIPTION		