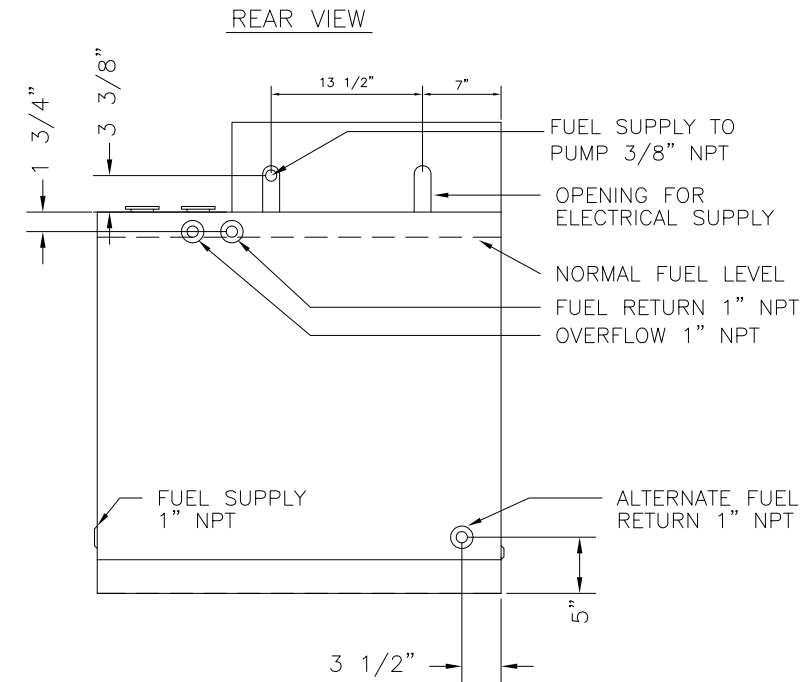
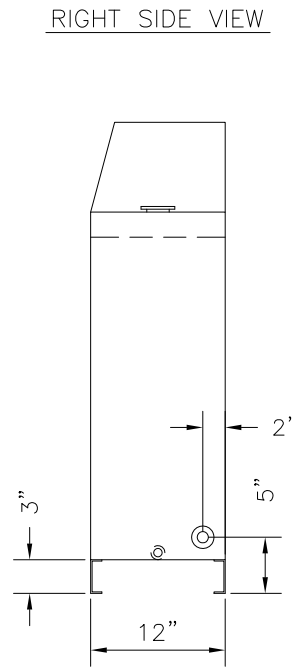
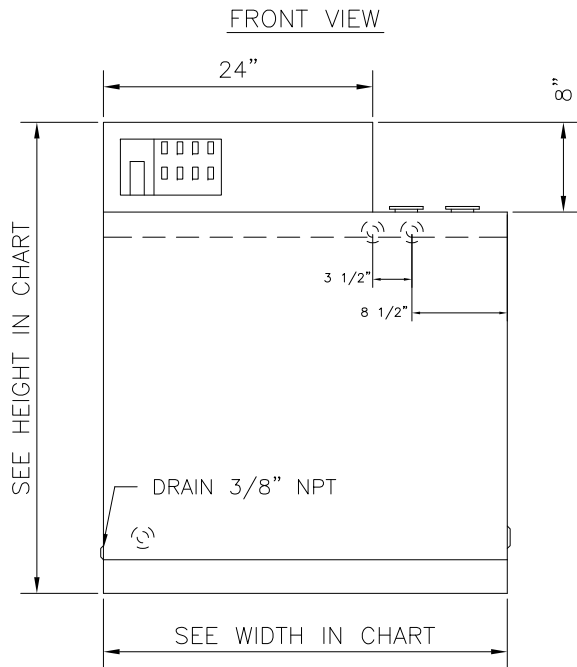


		MODEL SLIM					
		DT50	DT60	DT75	DT100	DT150	DT200
CAPACITY	GAL.	50	60	75	100	150	200
	LIT.	189	228	284	379	570	760
WIDTH	IN	36	36	36	48	72	96
	CM	91.4	91.4	91.4	121.9	182.9	243.8
HEIGHT	IN	42	47	55	55	55	55
	CM	106.7	119.4	139.7	139.7	139.7	139.7
DEPTH	IN	12	12	12	12	12	12
	CM	30.5	30.5	30.5	30.5	30.5	30.5
WEIGHT	LB	181	192	219	268	366	395
	KG	82.2	87.2	99.4	121.6	166.1	179.2
NORMAL VENT	IN	2	2	2	2	2	2
EMERGENCY VENT	IN	2	2	3	3	3	4



				E & C A	
SCALE NONE		APPROVED BY		DRAWN BY: TMP	
DATE 4-24-96				REVISED	
2	12-13	MOVED NORMAL VENT TO TOP	MEP	MODEL DT50,60,75,100,150,200	
1	6-08	REMOVED HIGH/LOW ALARM LEVELS	KNA		
REV	DATE	DESCRIPTION	BY	SLIM TANK, UL DESIGN	
				DRAWING NUMBER 03101	