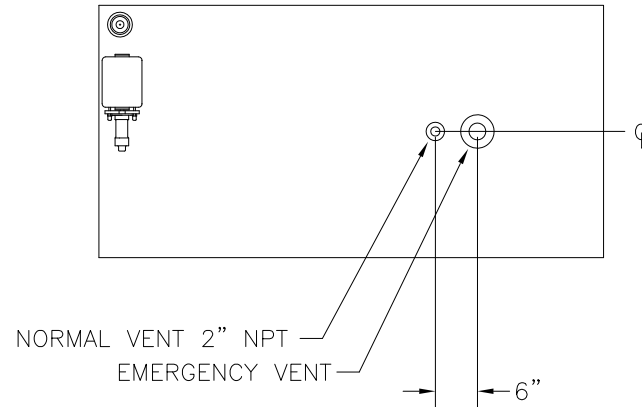


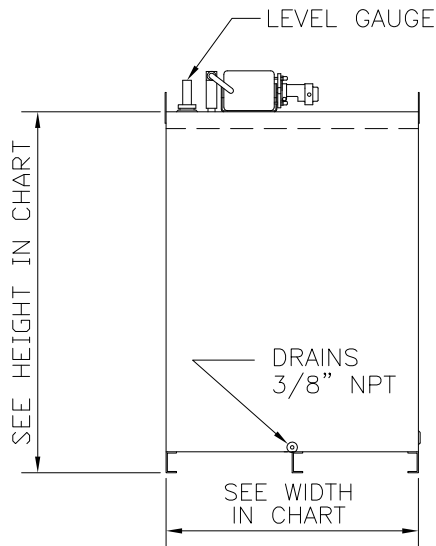
MODEL

		ET400	ET450	ET500	ET550	ET600
CAPACITY	GAL.	400	450	500	550	600
	LIT.	1514	1703	1893	2082	2271
WIDTH	IN	36	36	36	36	36
	CM	91.4	91.4	91.4	91.4	91.4
DEPTH	IN	57	65	72	79	86
	CM	144.8	165	182.9	200.6	218.4
HEIGHT	IN	51.5	51.5	51.5	51.5	51.5
	CM	130.8	130.8	130.8	130.8	130.8
WEIGHT	LB	461	507	548	735	787
	KG	205	230	249	334	358
EMERGENCY VENT	IN	4	4	4	4	5

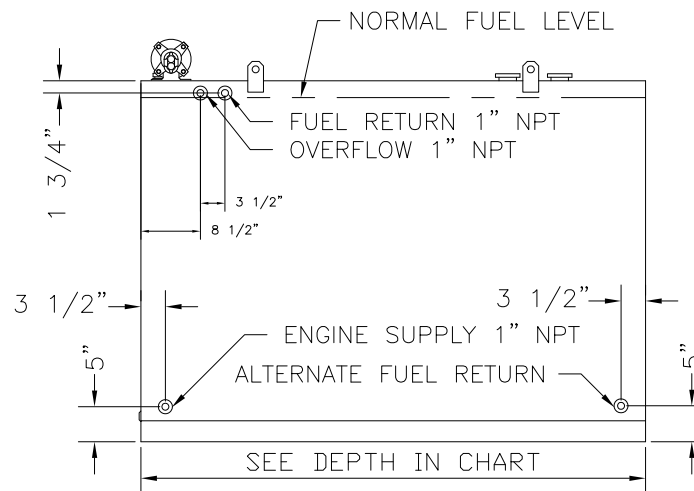
TOP VIEW



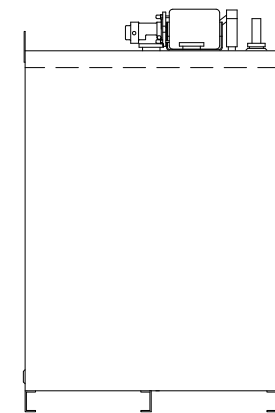
FRONT VIEW



RIGHT SIDE VIEW



REAR VIEW



UL LISTED
FILE MH 15297
WHEN SPECIFIED

E & C A		
SCALE NONE	APPROVED BY	DRAWN BY: TMP
DATE 5-18-95		REVISED
ET400, 450, 500, 550, 600ULD		
UL DESIGNED TANKS		DRAWING NUMBER 02835

REV	DATE	DESCRIPTION	BY
1	12-13	MOVED NORMAL VENT TO TOP	MEP