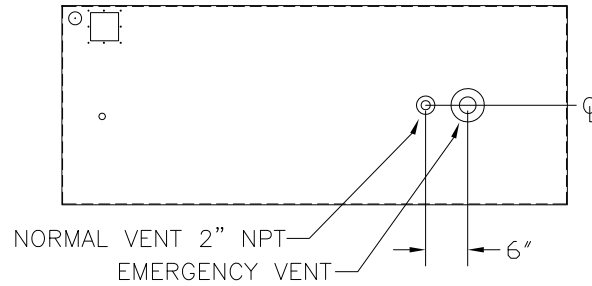


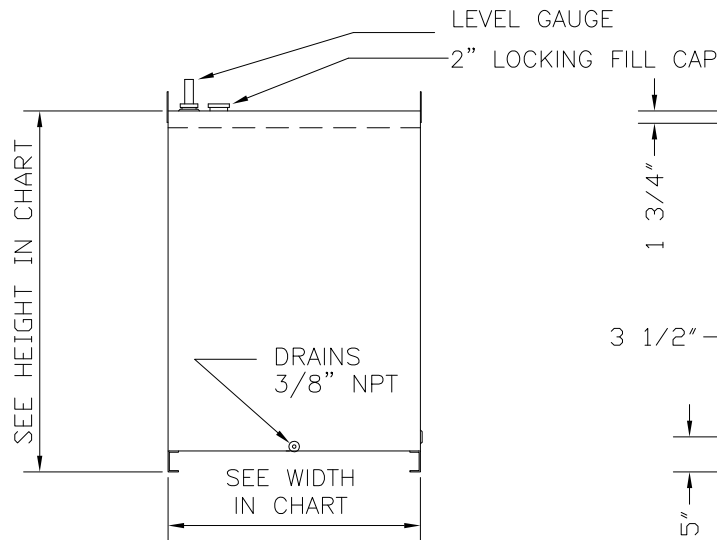
MODEL

		FT400	FT450	FT500	FT550	FT600
CAPACITY	GAL.	400	450	500	550	600
	LIT.	1514	1703	1893	2082	2271
WIDTH	IN	36	36	36	36	36
	CM	91.4	91.4	91.4	91.4	91.4
DEPTH	IN	57	65	72	79	86
	CM	144.8	165	182.9	200.6	218.4
HEIGHT	IN	51.5	51.5	51.5	51.5	51.5
	CM	130.8	130.8	130.8	130.8	130.8
WEIGHT	LB	441	487	528	715	767
	KG	200	221	239	324	348
EMERGENCY VENT	IN	4	4	4	4	5

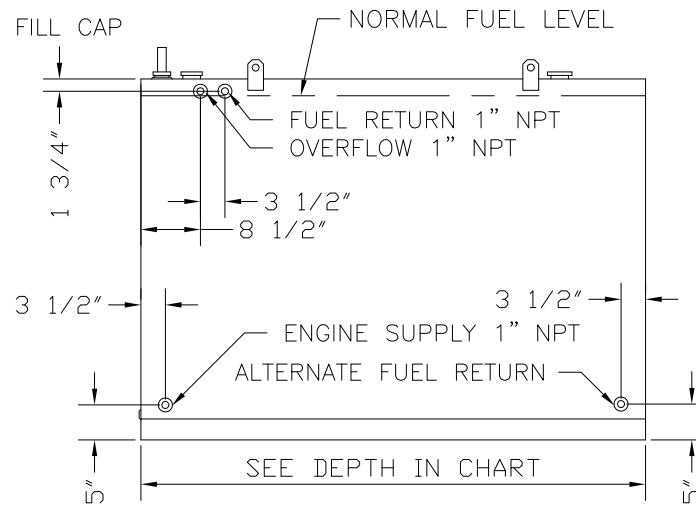
TOP VIEW



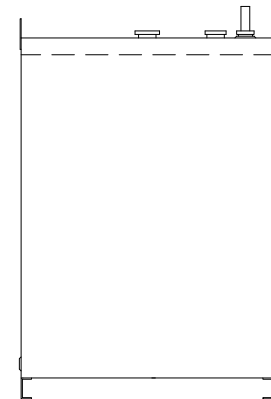
FRONT VIEW



RIGHT SIDE VIEW



REAR VIEW



FILE MH 15297  
WHEN SPECIFIED

E & C A

SCALE NONE	APPROVED BY	DRAWN BY TMP
DATE 12-19-94		REVISED
FT400, 450, 500, 550, 600ULD		
UL DESIGNED TANKS		DRAWING NUMBER 02671

REV	DATE	DESCRIPTION	BY
2	12-13	NORMAL VENT MOVED TO TOP	MEP
1	3-11	ADDED TOP VIEW	JMR