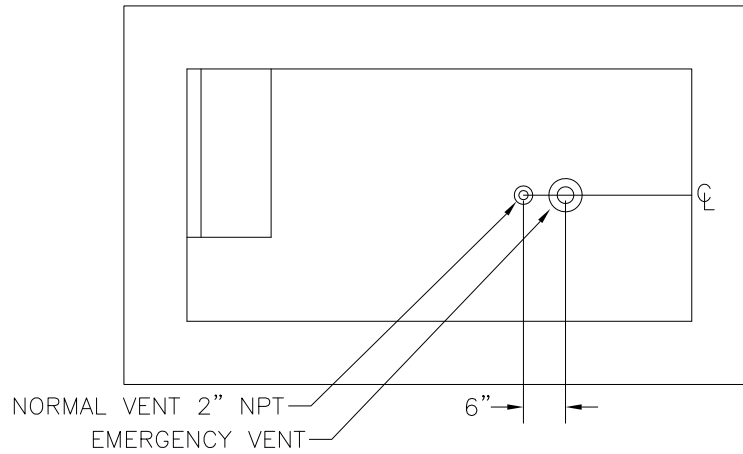
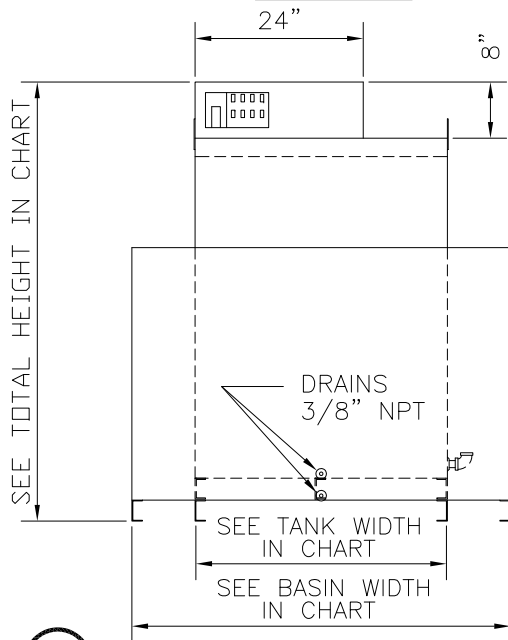


TOP VIEW

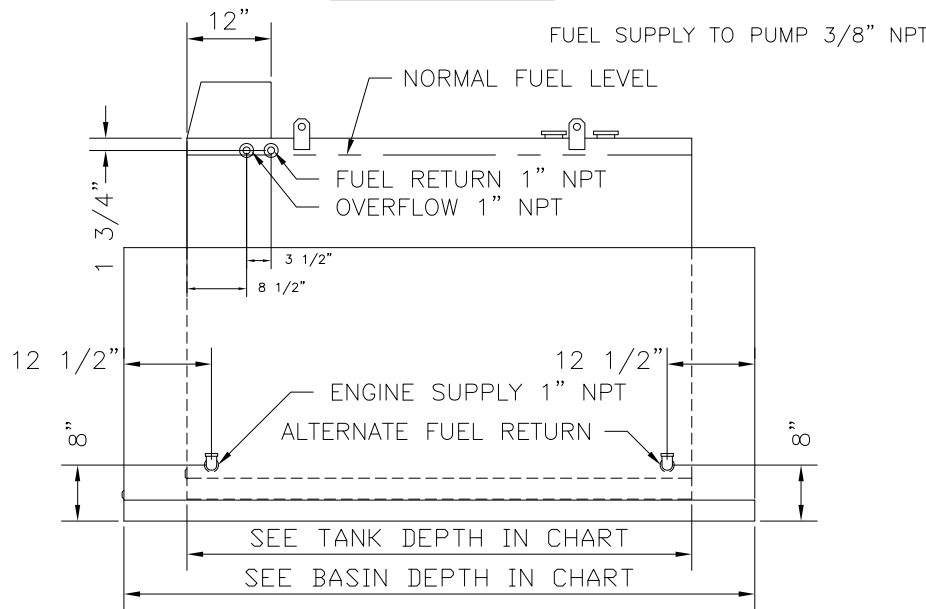


		MODEL				
		DT400	DT450	DT500	DT550	DT600
CAPACITY	GAL	400	450	500	550	600
	LIT	1514	1703	1893	2082	2271
BASIN WIDTH	IN	54	54	54	54	54
	CM	136.6	136.6	136.6	136.6	136.6
BASIN DEPTH	IN	75	83	90	97	104
	CM	189.8	210	227.7	245.5	263.1
TANK WIDTH	IN	36	36	36	36	36
	CM	91.4	91.4	91.4	91.4	91.4
TANK DEPTH	IN	57	65	72	79	86
	CM	144.8	165	182.9	200.6	218.4
TOTAL HEIGHT	IN	62.5	62.5	62.5	62.5	62.5
	CM	158.1	158.1	158.1	158.1	158.1
BASIN HEIGHT	IN	39	39	39	39	39
	CM	98.7	98.7	98.7	98.7	98.7
WEIGHT	LB	1045	1133	1209	1433	1521
	KG	475	515	550	651	691
EMERGENCY VENT	IN	4	4	4	4	6

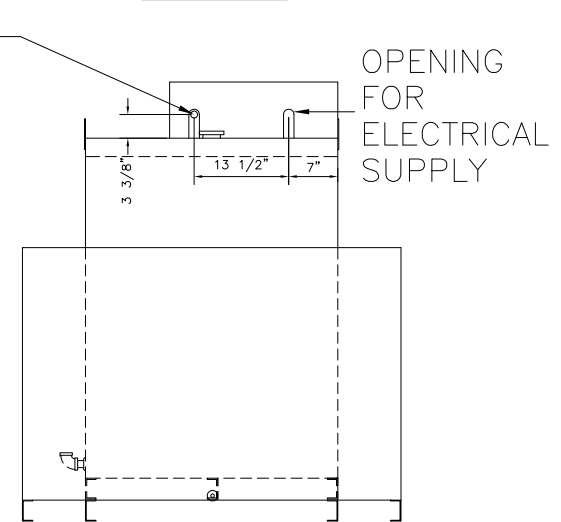
FRONT VIEW



RIGHT SIDE VIEW



REAR VIEW



FILE MH 15297
WHEN SPECIFIED

2	12-13	MOVED NORMAL VENT TO TOP	MEP
1	6-08	REMOVED HIGH/LOW ALARM LEVELS	KNA
REV	DATE	DESCRIPTION	BY

E & C A		
SCALE NONE	APPROVED BY	DRAWN BY: TMP
DATE 8-31-94		REVISED
DT400ULD,450ULD,500ULD,550ULD,600ULD		
w/ RUPTURE BASIN		DRAWING NUMBER 02664