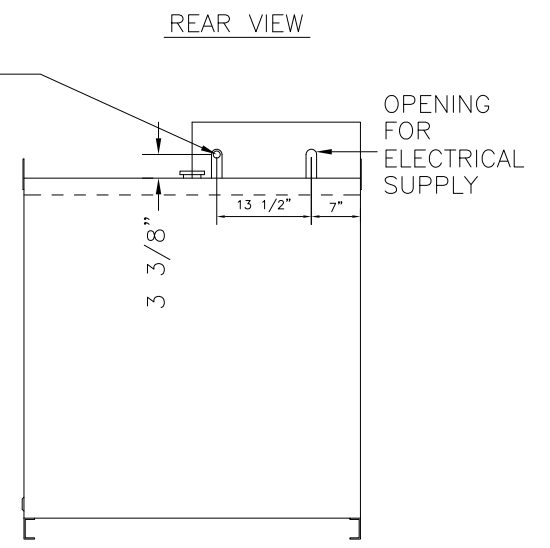
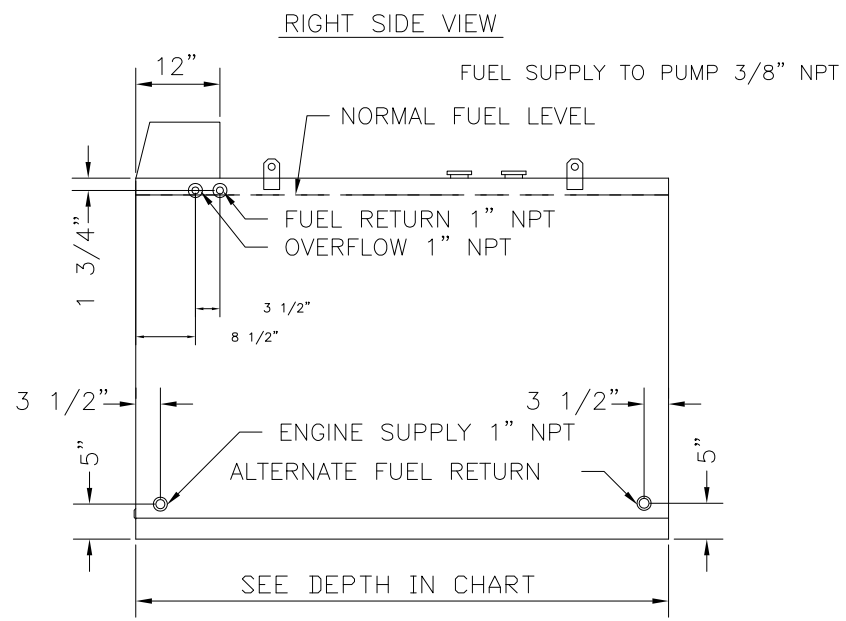
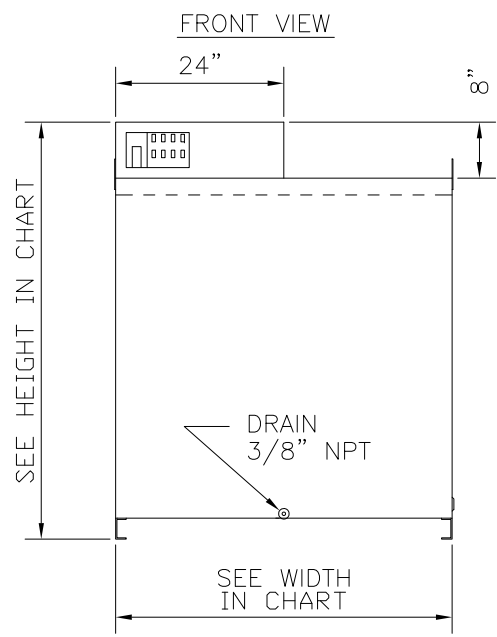


		MODEL			
		DT700	DT800	DT900	DT1000
CAPACITY	GAL	700	800	900	1000
	LIT	2660	3040	3420	3800
WIDTH	IN	48	48	48	48
	CM	121.9	121.9	121.9	121.9
DEPTH	IN	76	86	97	108
	CM	193	218.4	246.4	274.3
HEIGHT	IN	59.5	59.5	59.5	59.5
	CM	151.1	151.1	151.1	151.1
WEIGHT	LB	848	930	1021	1111
	KG	386	423	464	505
EMERGENCY VENT	IN	5	5	5	5



UL LISTED
FILE MH 15297
WHEN SPECIFIED

REV	DATE	DESCRIPTION	BY
2	12-13	MOVED NORMAL VENT TO TOP	MEP
1	6-08	REMOVED HIGH/LOW ALARM LEVELS	KNA

E & C A		
SCALE NONE	APPROVED BY	DRAWN BY TMP
DATE 8-31-94		REVISED
DT700ULD,800ULD,900ULD,1000ULD		
		DRAWING NUMBER 02663