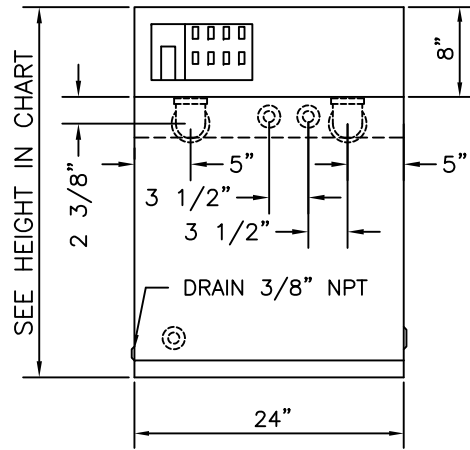
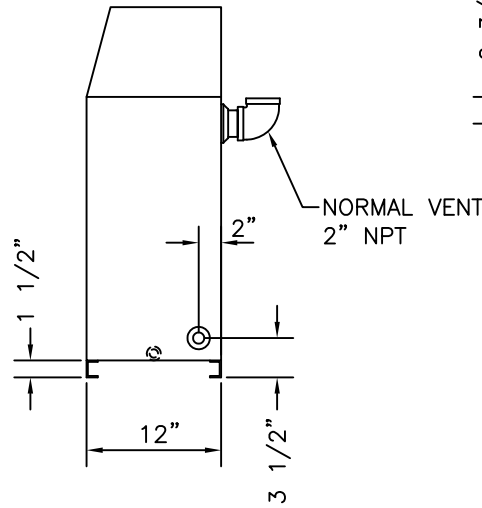


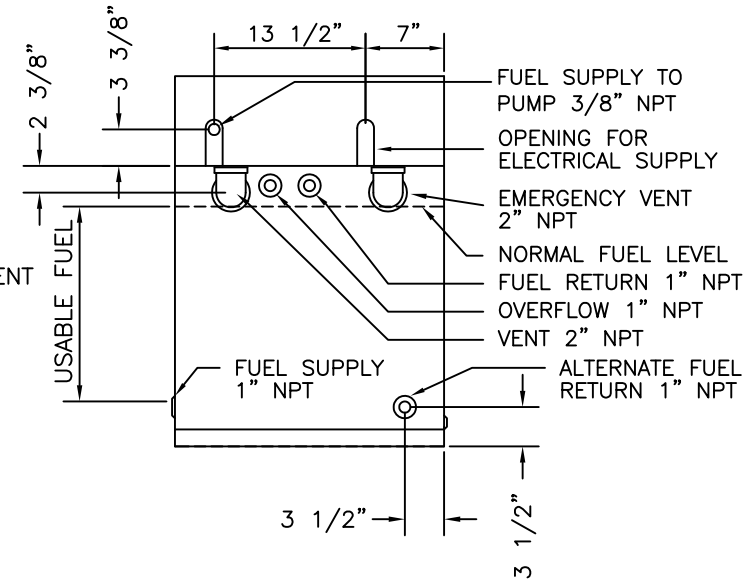
FRONT VIEW



RIGHT SIDE VIEW



REAR VIEW



| | | MODEL | | | |
|----------------|------|-------|------|------|------|
| | | DT10 | DT15 | DT25 | DT30 |
| CAPACITY | GAL. | 10 | 15 | 25 | 30 |
| | LIT. | 38 | 57 | 95 | 114 |
| WIDTH | IN | 24 | 24 | 24 | 24 |
| | CM | 61 | 61 | 61 | 61 |
| HEIGHT | IN | 22 | 25.5 | 33 | 35.5 |
| | CM | 55.9 | 64.8 | 83.8 | 90.2 |
| DEPTH | IN | 12 | 12 | 12 | 12 |
| | CM | 30.5 | 30.5 | 30.5 | 30.5 |
| WEIGHT | LB | 139 | 148 | 168 | 171 |
| | KG | 63 | 67 | 76 | 78 |
| NORMAL VENT | IN | 2 | 2 | 2 | 2 |
| EMERGENCY VENT | IN | 2 | 2 | 2 | 2 |



FILE MH 15297
WHEN SPECIFIED

| | | | | E & C A | | |
|-----|------|-------------------------------|-----|------------------------------|-------------|----------------|
| 6 | 7-12 | ADDED ELBOWS | MEP | SCALE NONE | APPROVED BY | DRAWN BY TMP |
| 5 | 6-08 | REMOVED HIGH/LOW ALARM LEVELS | KNA | | | |
| 4 | 4-04 | ADDED 30 GALLON TANK | TMP | DATE 2-4-91 | | REVISED |
| 3 | 4-04 | CORRECTED WEIGHTS | TMP | | | |
| 2 | 4-94 | ADDED EMERGENCY VENT | TMP | MODELS DT10, 15, & 25, 30ULD | | |
| 1 | 4-94 | ADDED 15 GALLON TANK | TMP | | | |
| REV | DATE | DESCRIPTION | BY | UL DESIGNED | | DRAWING NUMBER |
| | | | | | | 02204 |